

Twin Wallspot Light

PTWS50 PTWSPIRT20

PTWS50-PTWSPIRT20

DESCRIPTION

Twin Wallspot adjustable.
Twin Wallspot adjustable C/W PIR detector.

SPECIFICATION

T model: 230-240 volt to 12 volt.
TU model: 120 volt to 12 volt. (Not available with PIR)
No T: requires remote transformer. (Not available with PIR)

LAMPS

MR16 20 or 50 watt Halogen Dichroic open faced 12 volt, 5,000 hour Prolite® lamp included. See photometric sheet for lamp details.

CONSTRUCTION

Manufactured in New Zealand from the highest grade materials. Flush lens from fully tempered and ground glass. Lamp supported by S/S spring for easy changing and connected with nickel contact lamp holder with Teflon jacket connector leads. Adjustable heads, 90° tilt and 350° rotate. Unique non wicking leak proof construction.

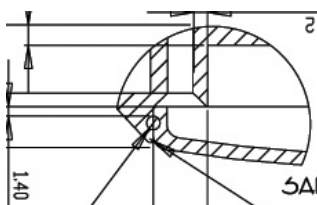
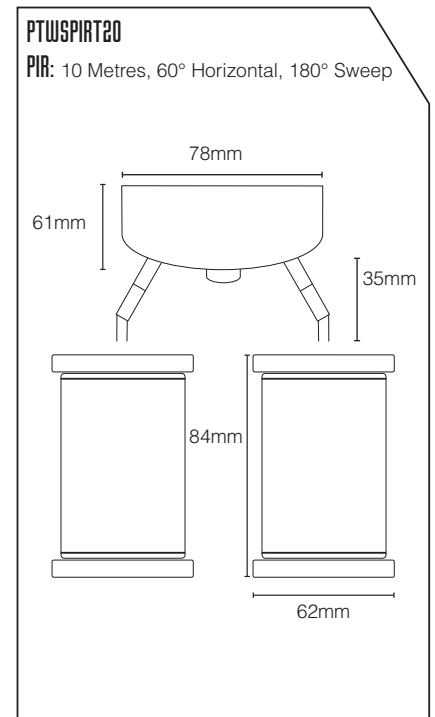
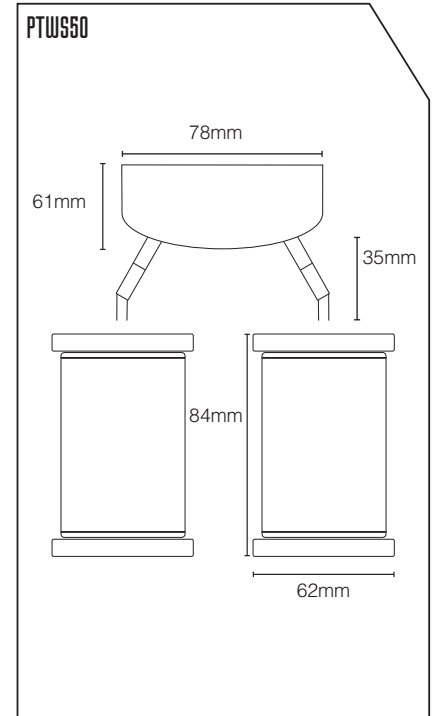
MOUNTING

Patented wall plate is screwed to the wall. After connecting the wires, the base is fitted to the wall plate and turned until the key engages. A tool, such as a small screwdriver, is required to press in the key to remove the fitting. This results in hidden fastenings.

AS/NZS 61046
Patent- 532578

WARRANTY

- 316 Stainless Steel (SS) - 20 year warranty.
- Solid Copper (CO) - 20 year warranty.
- Black anodised (BL) - 5 year warranty.
- Matt anodised (MA) - 5 year warranty.
- * Each lens ring is engraved with the date of manufacture.



SALEPRO

SALES & PROMOTIONS. YOUR LIGHTING SPECIALISTS

