

# Pole Light

PSPL PTPL

PSPL-PTPL

## DESCRIPTION

Single Pole Light.  
Twin Pole Light.

## SPECIFICATION

Requires remote transformer - SP60IP or SP105IP

## LAMPS

MR16 50 watt Halogen Dichroic open faced 12 volt, 5,000 hour Prolite® lamp included. See photometric sheet for lamp details.

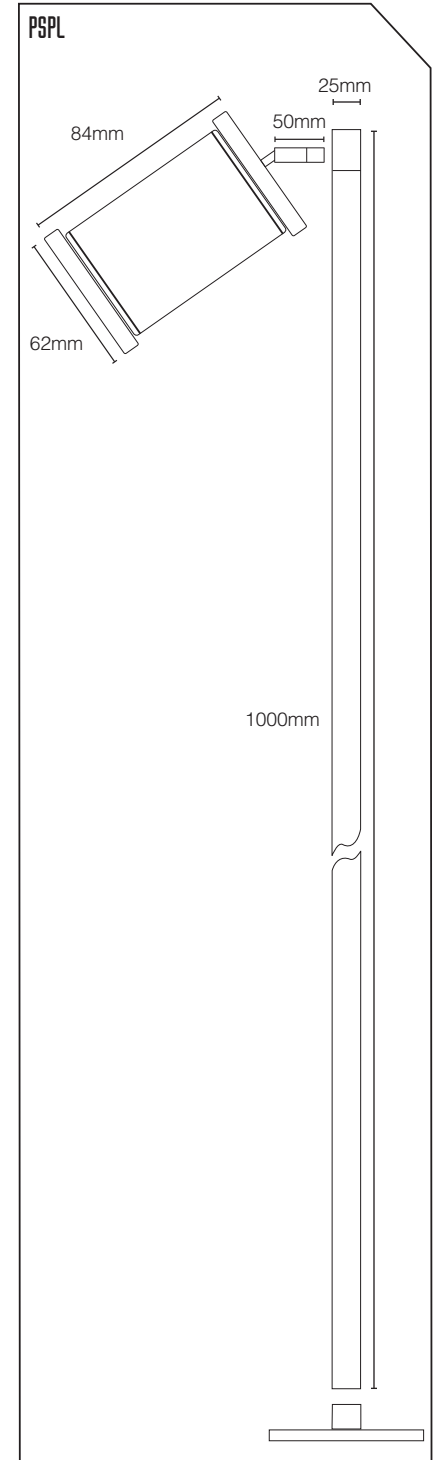
## CONSTRUCTION

Manufactured in New Zealand from the highest grade materials. Flush lens from fully tempered and ground glass. Lamp supported by S/S spring for easy changing and connected with nickel contact lamp holder with Teflon jacket connector leads. Adjustable heads, 90° tilt and 350° rotate. Unique non wicking leak proof construction.

## MOUNTING

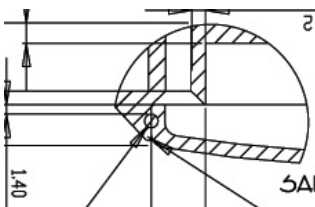
Inserted in ground or bolt down flange.

Patent- 532578



## WARRANTY

- 316 Stainless Steel (SS) - 20 year warranty.
- Solid Copper (CO) - 20 year warranty.
- Black anodised (BL) - 5 year warranty.
- Matt anodised (MA) - 5 year warranty.
- \* Each lens ring is engraved with the date of manufacture.



# SALEPRO

SALES & PROMOTIONS. YOUR LIGHTING SPECIALISTS

