

Pillar Light

PPIL20 PPILT20 PPILTLGERS0CO

PPILTLGERS0CO-PPIL20-PPILT20

DESCRIPTION

Up and down.

SPECIFICATION

T model: 230-240 volt to 12 volt.

TU model: 120 volt to 12 volt.

No T: requires remote transformer.

Large only available in CO or Matt Chrome

LAMPS

MR16 20 watt Halogen Dichroic open faced 12 volt, 5,000 hour Prolite® lamp included. See photometric sheet for lamp details.

CONSTRUCTION

Manufactured in New Zealand from the highest grade materials. Flush lens from fully tempered and ground glass. Lamp supported by S/S spring for easy changing and connected with nickel contact lamp holder with Teflon jacket connector leads.

Unique non wicking leak proof construction.

MOUNTING

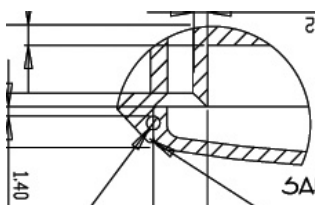
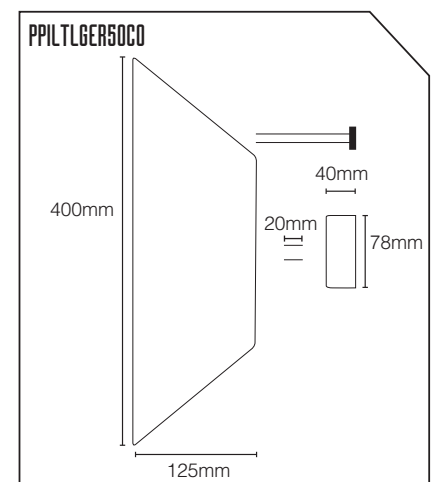
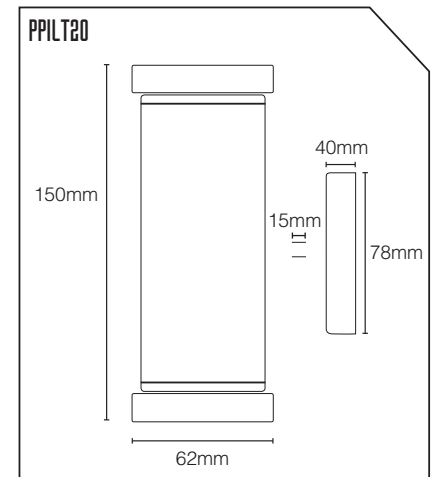
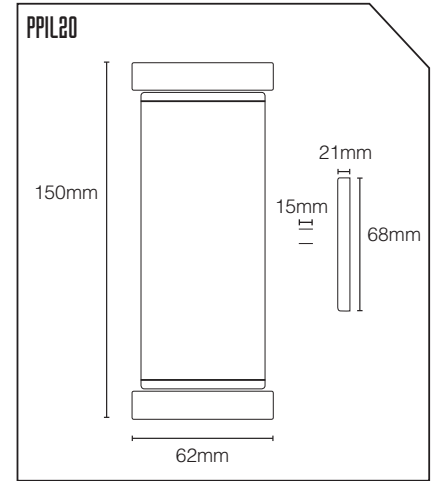
Patented wall plate is screwed to the wall. After connecting the wires, the base is fitted to the wall plate and turned until the key engages. A tool, such as a small screwdriver, is required to press in the key to remove the fitting. This results in hidden fastenings.

AS/NZS 61046

Patent- 532578

WARRANTY

- 316 Stainless Steel (SS) - 20 year warranty.
- Solid Copper (CO) - 20 year warranty.
- Black anodised (BL) - 5 year warranty.
- Matt anodised (MA) - 5 year warranty.
- * Each lens ring is engraved with the date of manufacture.



SALEPRO

SALES & PROMOTIONS. YOUR LIGHTING SPECIALISTS

