

Bollard Light

PB1M/L PB5L

PB1M/L-PB5L

DESCRIPTION

1 Metre Bollard.
500mm Bollard (12 volt only).

SPECIFICATION

M model: 230-240 volt.
MU model: 120 volt.
L model: requires remote transformer.

LAMPS

M ECO 9 watt lamp BC.
L PL9.

CONSTRUCTION

Manufactured in New Zealand from the highest grade materials.
Moulded acrylic lens.
Unique non wicking leak proof construction.

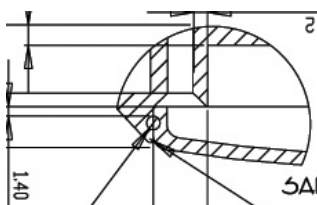
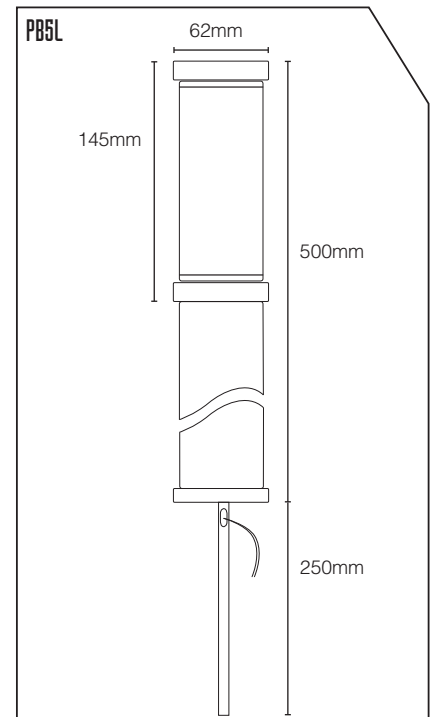
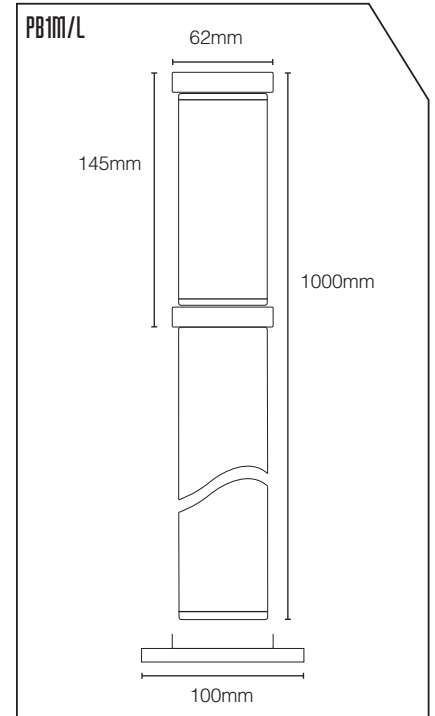
MOUNTING

PB1 - mount in concrete or bolt down flange available.
PB5 - insert in ground.

AS/NZS 61046
Patent- 532578

WARRANTY

- 316 Stainless Steel (SS) - 20 year warranty.
- Solid Copper (CO) - 20 year warranty.
- Black anodised (BL) - 5 year warranty.
- Matt anodised (MA) - 5 year warranty.
- * Each lens ring is engraved with the date of manufacture.



SALEPRO

SALES & PROMOTIONS. YOUR LIGHTING SPECIALISTS

